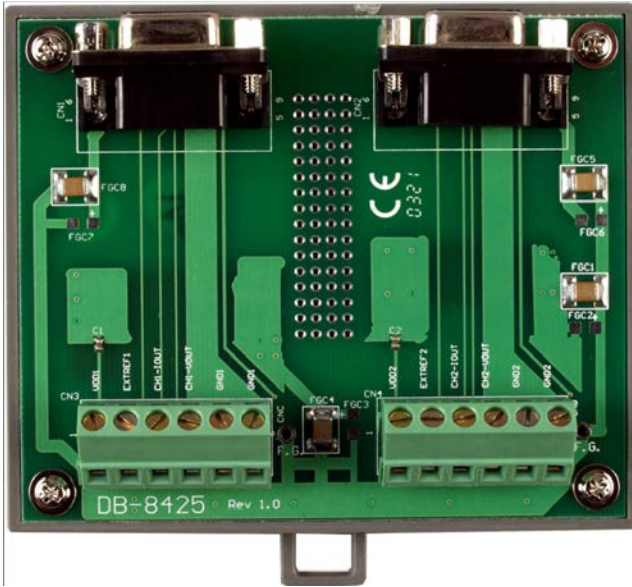


DB-8425/DIN



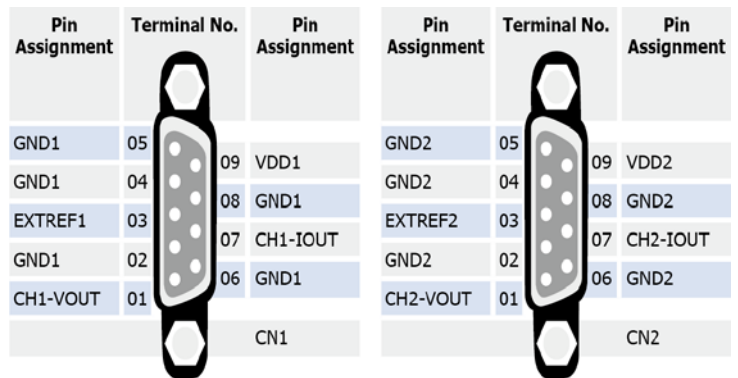
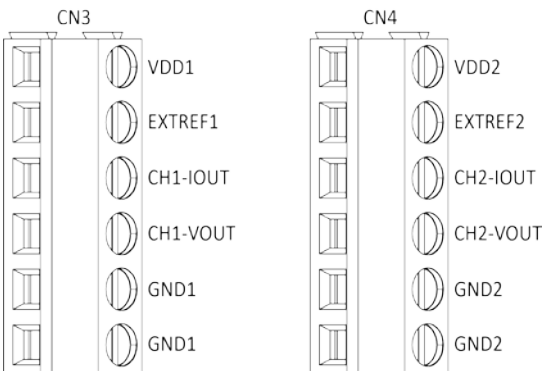
Features

- Connector interface for PISO-DA2U
- Screw terminals for easy field wiring
- 9-pin D-sub connector pin to pin screw terminal for PISO-DA2U
- Current rating: 1 A Max.
- Dielectric withstanding voltage: 250VAC for 1 minute
- DC rating: 24 V Max.



Two Female DB9 to Screw Terminal Board for PISO-DA2U with DIN-rail Mounting

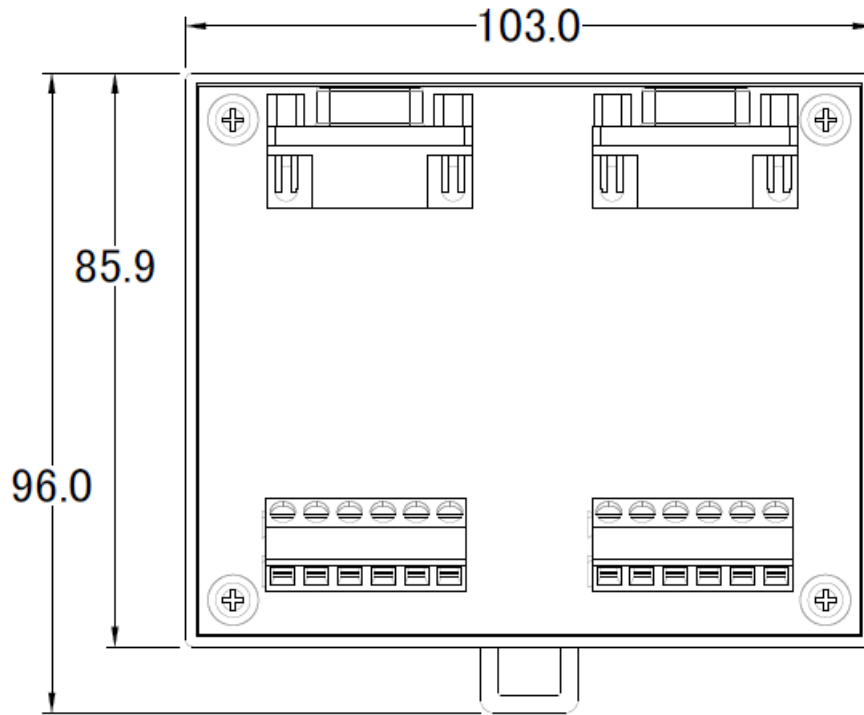
Pin Assignment



I/O Specifications

Mechanical	
Installation	DIN-Rail
Dimensions	103mm x 85.9mm (W x L)
Environment	
Operating Temp.	0 ~ +60 °C
Storage Temp.	-30 ~ 80 °C
Humidity	10 ~ 90% RH, non-condensing

■ Dimensions (Units: mm)



Front View

■ Ordering Information

DB-8425/DIN	Two Female DB9 to Screw Terminal Board for PISO-DA2U with DIN-rail Mounting Include: CA-0920 (DB9(Male) to DB9(Male) Cable [RS-232; Pin1-Pin9], 2M)
-------------	--